



**norm-case**

- filter screen, can be clipped on for accurate fitting, made of coated red plexiglass
- front panel, can be clipped on for accurate fitting, made of ABS, light-grey similar to RAL 7035, self-extinguishing per UL 94 V-0
- integrated PCB cover on the rear panel
- space for a second PCB
- lockable quick mount via plastic clips
- can be arranged both horizontally and vertically (e.g., in a mounting system)
- installation in panel with thickness of up to 50mm possible
- case and accessories are recyclable as they are made of pure materials that contain no metal

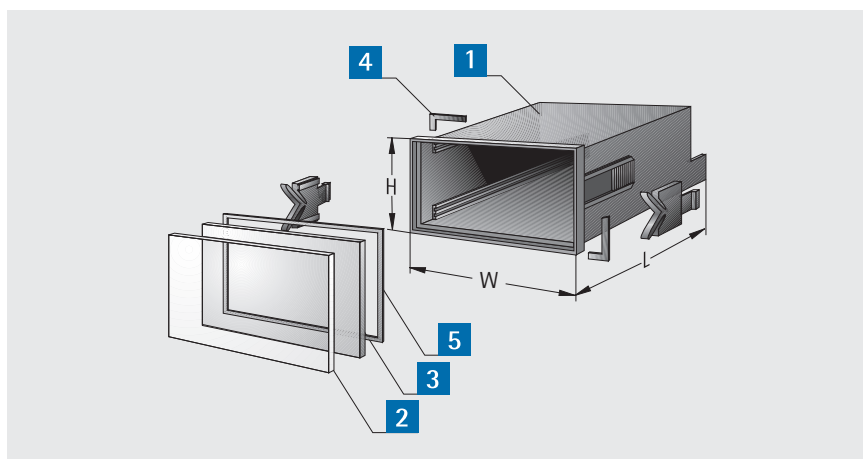
**Material:** PC/ABS, black  
 listed in compliance with UL 94 V-0  
**Degree of protection:** IP 52  
 (between case and front panel/screen)

**norm-case 72 x 36 x 72**

- Quick and easy case assembly with filter screens and rear panel that can be clipped on



**Specifications**

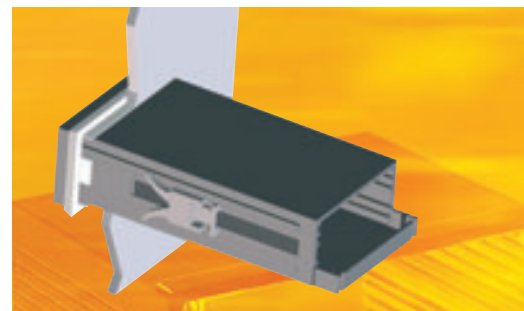


**Moulded part sealing**


- Due to premium quality materials and tight contour fitting to the enclosure a protection of up to IP 65 can be achieved.

Material: TPE-S

\* IP 65 possible



**Order information**

Dimensions H x W x D mm	norm-case with 2 plastic clips <b>1</b>	Filter screens <b>2</b>	Front panel <b>3</b>	Sealing between case and panel <b>4</b>	Sealing behind front panel <b>5</b>	Rear panel closed <b>6</b>	Fixing clamps optional: with threaded pin M3	
								
48 x 24 x 90,5	448-441	44-8452-09	44-8451-01	44-8445-01*	44-8445-02	-		
48 x 48 x 130,5	44-8121-00	44-8132-09	44-8131-01	-	-	-		
72 x 24 x 96,5	44-8421-00	44-8432-09	-	44-8425-01*	-	-		
72 x 36 x 96,5	44-8041-00	44-8052-09	44-8051-01	44-8055-01	44-8055-02	-	for 24mm high enclosures:	for 36mm or 48 mm high enclosures:
96 x 24 x 130,5	44-8102-00	44-8112-09	44-8111-01	44-8115-01*	44-8115-02	-		
96 x 48 x 122,0	448-162	44-8162-09	44-8162-01	44-8175-01	44-8175-02	-		
96 x 48 x 130,5	44-8163-00	-	-	-	-	-	44-8100-10	44-8200-00
72 x 36 x 72,0	44-8062-00	44-8052-09	44-8051-01	44-8055-01	44-8055-02	44-8053-01		